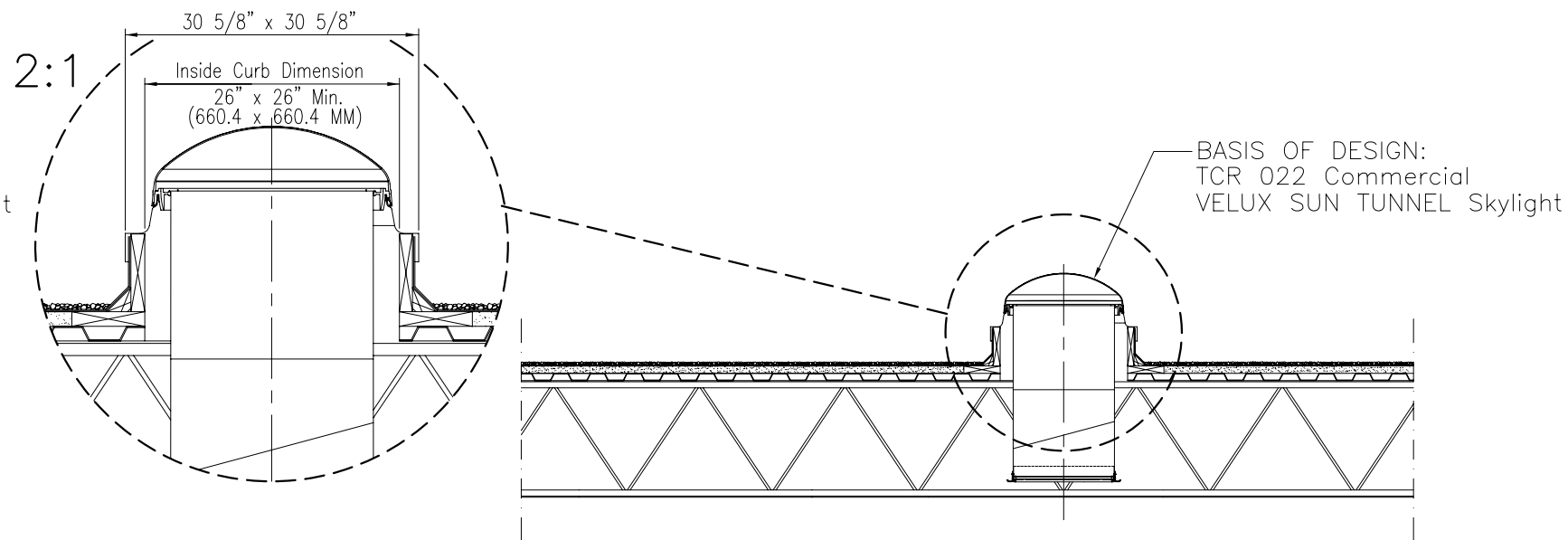
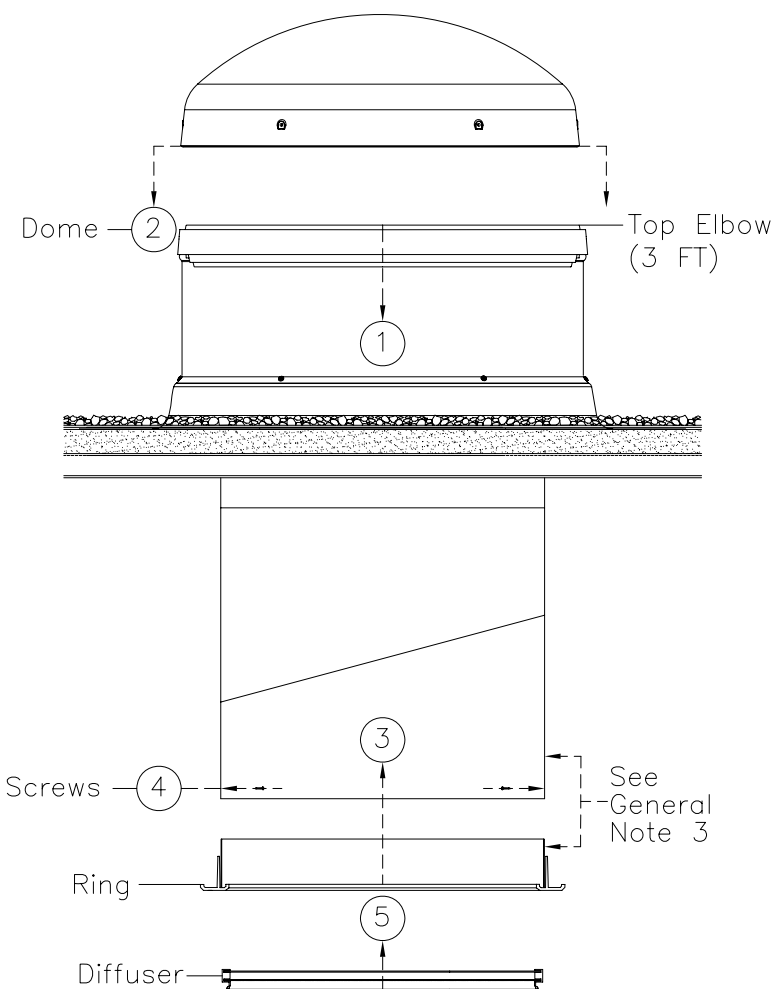


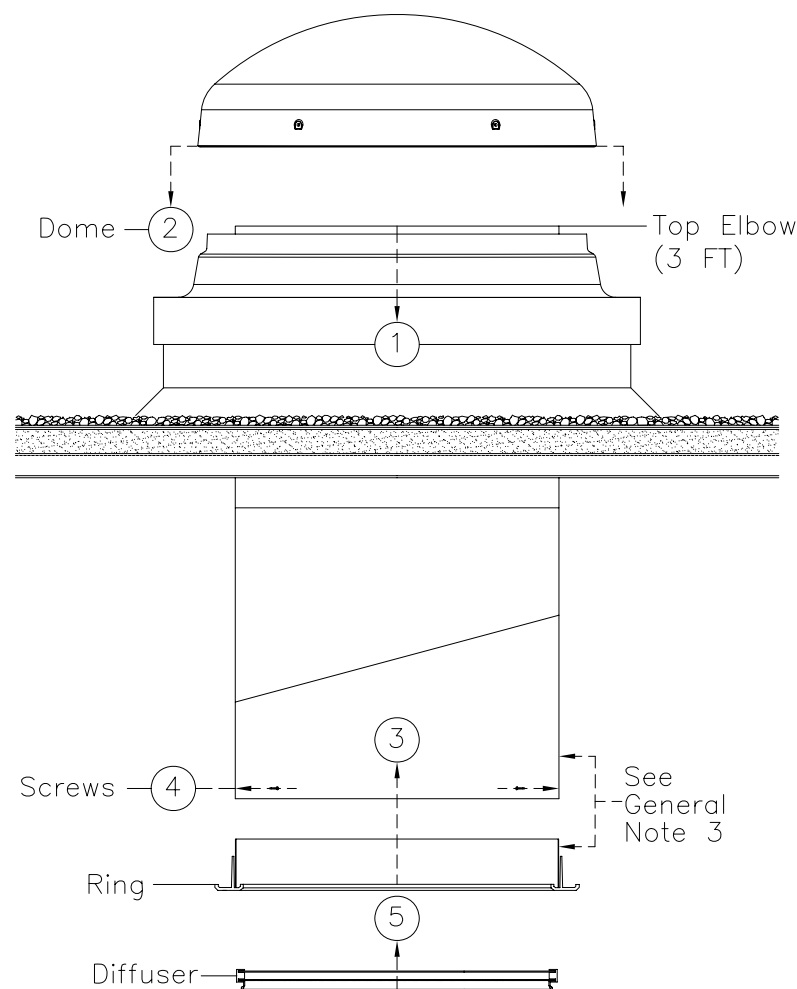
ELEVATION—TCR P1



SECTION A—A



INSTALLATION—TCR Q1



INSTALLATION—TCR P1

GENERAL NOTES

1. This drawing emphasizes the TCR 022 0000, Commercial VELUX SUN TUNNEL Skylight, with variants of the P1 and Q1 flashing options. This drawing illustrates a general arrangement layout with recommendations for a VELUX TCR 022 0000P1 or a TCR 022 0000Q1 installation in a 0–30 degree roof pitch application utilizing open ceiling construction.
2. The architectural/structural design and specifications for the inclusion of a tubular daylighting device, such as the VELUX TCR 022 0000, in any roofing/ceiling application is determined and provided by others. The design criteria includes, but is not limited to design loads, structural configurations, structural framing member sizes and material, architectural finishes and integration with the roofing/ceiling systems of the building. VELUX assumes no responsibility or liability in the design, construction and performance of a building structure by others.
3. Tunnel Component TCR 0000P3 (5 FT) or ZTR 022 0002 (2 FT) can be added here to extend light tube.

	VELUX 1418 Evans Pond Road Greenwood, SC 29649 1-800-88-VELUX www.VELUXUSA.com	Name JDH	Date Mar 09
	Sky-Product Management	Checked by JL	Mar 09
TCR 022 0000 – Commercial VELUX SUN TUNNEL Skylight Roof/Open Ceiling Cross Section		Drawing No. TCR022-01-0309	

This drawing is an instrument of service and is provided for informational use only.