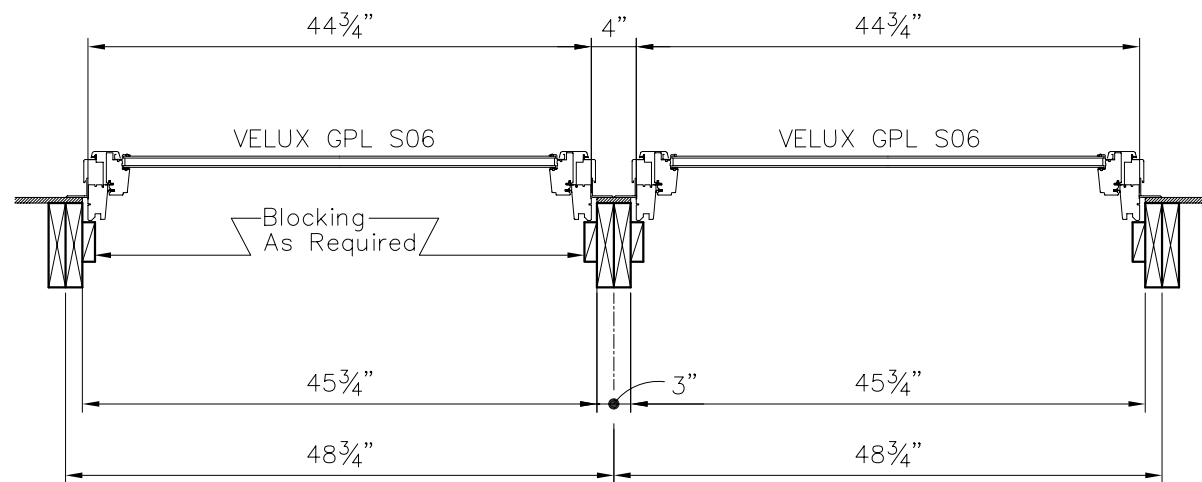
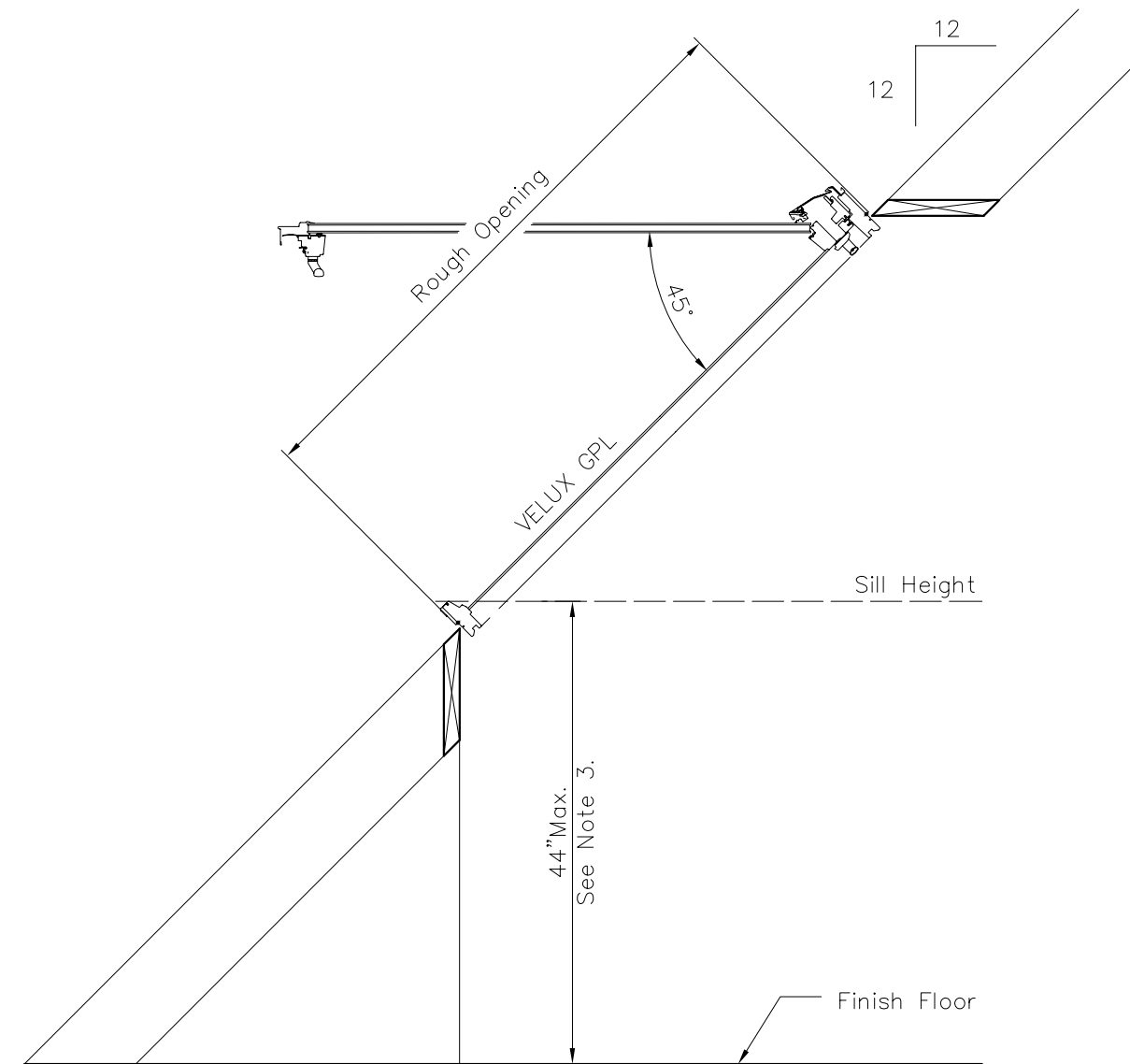


HORIZONTAL CROSS-SECTION (M08)



HORIZONTAL CROSS-SECTION (S06)




VERTICAL CROSS-SECTION

GENERAL NOTES

1. This drawing illustrates a general arrangement layout with recommendations for VELUX roof window installations in a 12:12 slope roof structure designed by others. This drawing applies to (2) VELUX GPL M08 or S06 Top Hinged Roof Windows.
2. The architectural/structural design and specifications of a roof window structure for this project is determined and provided by others. The design criteria includes, but is not limited to design loads, structural configurations, structural framing member sizes and material, architectural finishes and integration with the roofing system of the building. VELUX assumes no responsibility or liability in the design, construction and performance of a roof window structure by others.
3. 44" Maximum Finished Sill Height from Finished Floor to meet Egress Requirements.

This drawing is an instrument of service and is provided for informational use only.

| <br>Sky-Product Management | VELUX<br>1418 Evans Pond Road<br>Greenwood, SC 29649<br>1-800-88-VELUX<br>www.VELUXUSA.com | <table border="1"> <tr> <th>Name</th> <th>Date</th> </tr> <tr> <td>JDH</td> <td>June 07</td> </tr> <tr> <td>WQ</td> <td>June 07</td> </tr> </table> | Name | Date | JDH | June 07 | WQ | June 07 |
|---|--|---|------|------|-----|---------|----|---------|
|   | Name   | Date  |      |      |     |         |    |         |
| JDH   | June 07  |   |      |      |     |         |    |         |
| WQ  | June 07  |   |      |      |     |         |    |         |
| (2) VELUX GPL Top Hinged Roof Windows   |  | Drawing No.<br>GPL01-0607   |      |      |     |         |    |         |