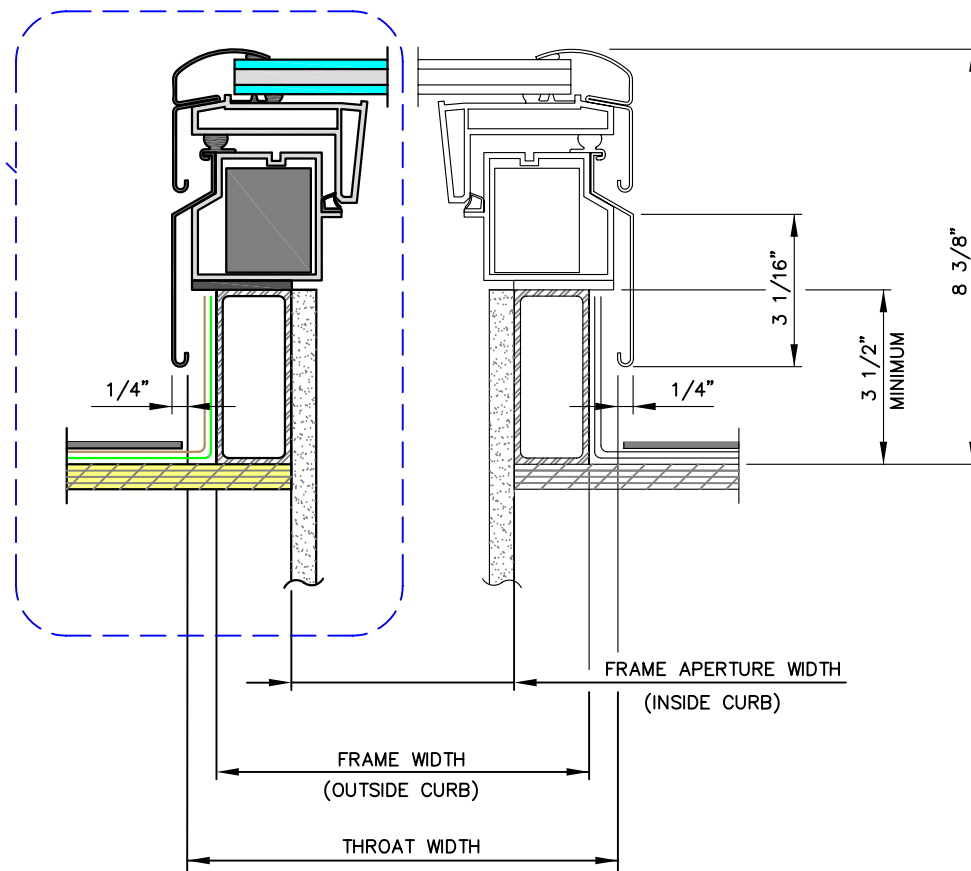
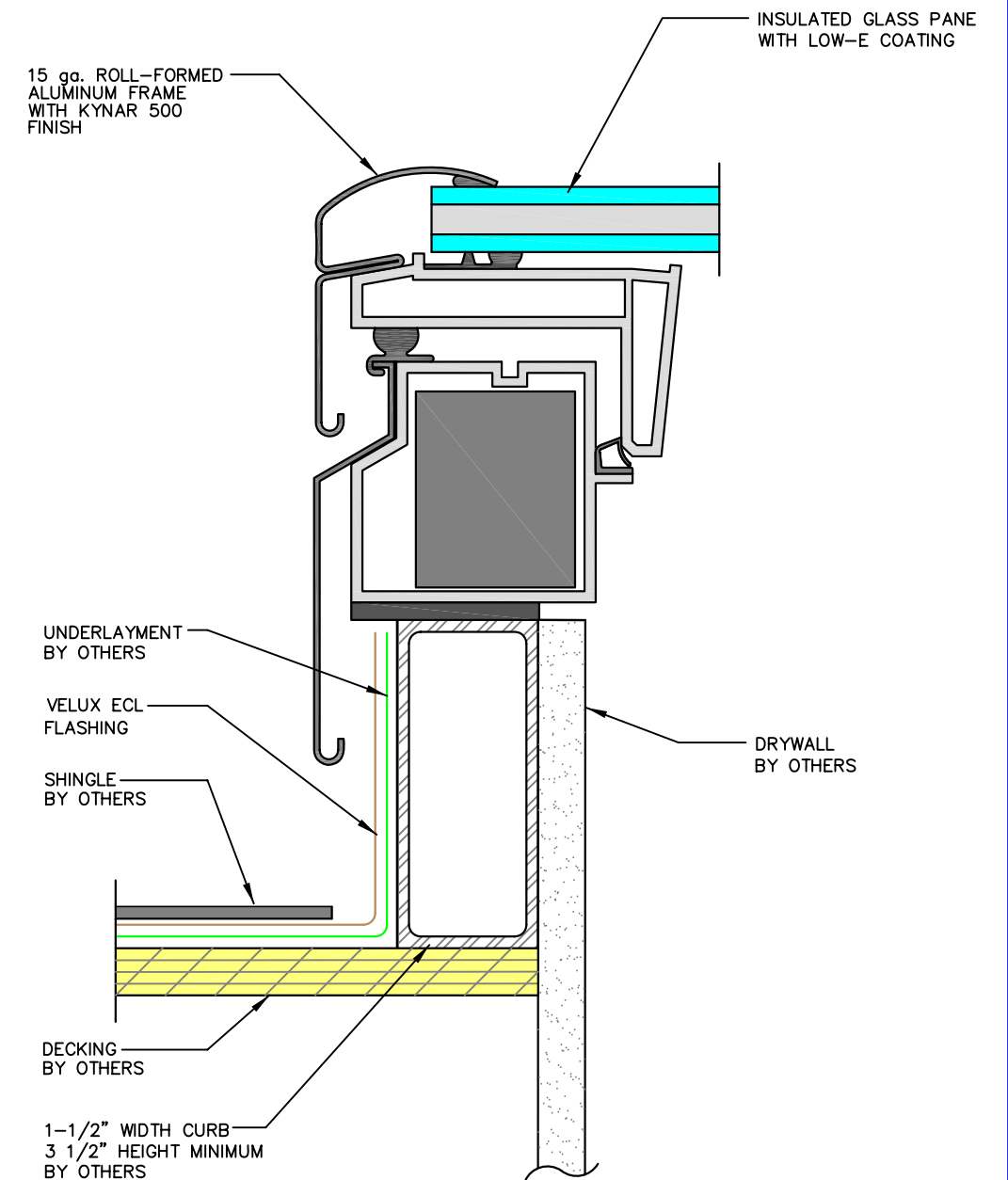


VERTICAL CROSS SECTION

SEE DETAIL 1



HORIZONTAL CROSS SECTION



DETAIL 1

METRIC UNITS (MILLIMETERS)								IMPERIAL UNITS (INCHES)							
SIZE	FRAME WIDTH	FRAME APERTURE WIDTH	THROAT WIDTH	FRAME HEIGHT	FRAME APERTURE HEIGHT	THROAT HEIGHT	DAYLIGHT AREA* (SQ. M)	SIZE	FRAME WIDTH	FRAME APERTURE WIDTH	THROAT WIDTH	FRAME HEIGHT	FRAME APERTURE HEIGHT	THROAT HEIGHT	DAYLIGHT AREA* (SQ. FT.)
2222	648	572	675.3	648	572	675.3	0.24	2222	25 1/2	22 1/2	26 9/16	25 1/2	22 1/2	26 9/16	2.58
2234	648	572	675.3	952.5	876.3	980	0.39	2234	25 1/2	22 1/2	26 9/16	37 1/2	34 1/2	34 9/16	4.20
2246	648	572	675.3	1257	1181	1284.8	0.55	2246	25 1/2	22 1/2	26 9/16	49 1/2	46 1/2	50 9/16	5.92
3030	851	775	878.4	851	775	878.4	0.49	3030	33 1/2	30 1/2	34 9/16	33 1/2	30 1/2	34 9/16	5.27
3046	851	775	878.4	1257	1181	1284.8	0.77	3046	33 1/2	30 1/2	34 9/16	49 1/2	46 1/2	50 9/16	8.29
3434	952	876	980	952.5	876.3	980	0.64	3434	37 1/2	34 1/2	38 9/16	37 1/2	34 1/2	38 9/16	6.89
4646	1257	1181	1284.8	1257	1181	1284.8	1.22	4646	49 1/2	46 1/2	50 9/16	49 1/2	46 1/2	50 9/16	13.13

<p>VELUX 1418 Evans Pond Road Greenwood, SC 29649 1-800-88-VELUX www.VELUXUSA.com</p> <p>Sky-Product Management</p>	<p>VELUX</p>	<p>Name</p>	<p>Date</p>
	<p>1418 Evans Pond Road Greenwood, SC 29649 1-800-88-VELUX www.VELUXUSA.com</p>	<p>JDH</p>	<p>Sept 08</p>
	<p>VCE-Electric Venting Curb Mounted Skylight, Product Dimensions, Cross Sections &amp; Enlarged Detail</p>	<p>JL</p>	<p>Dec 08</p>
	<p>VCE-01-1208</p>	<p>Drawing No.</p>	<p></p>

This drawing is an instrument of service and is provided for informational use only.