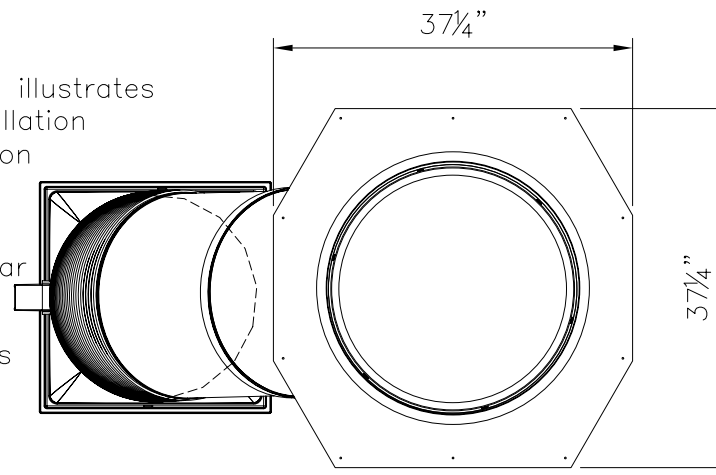
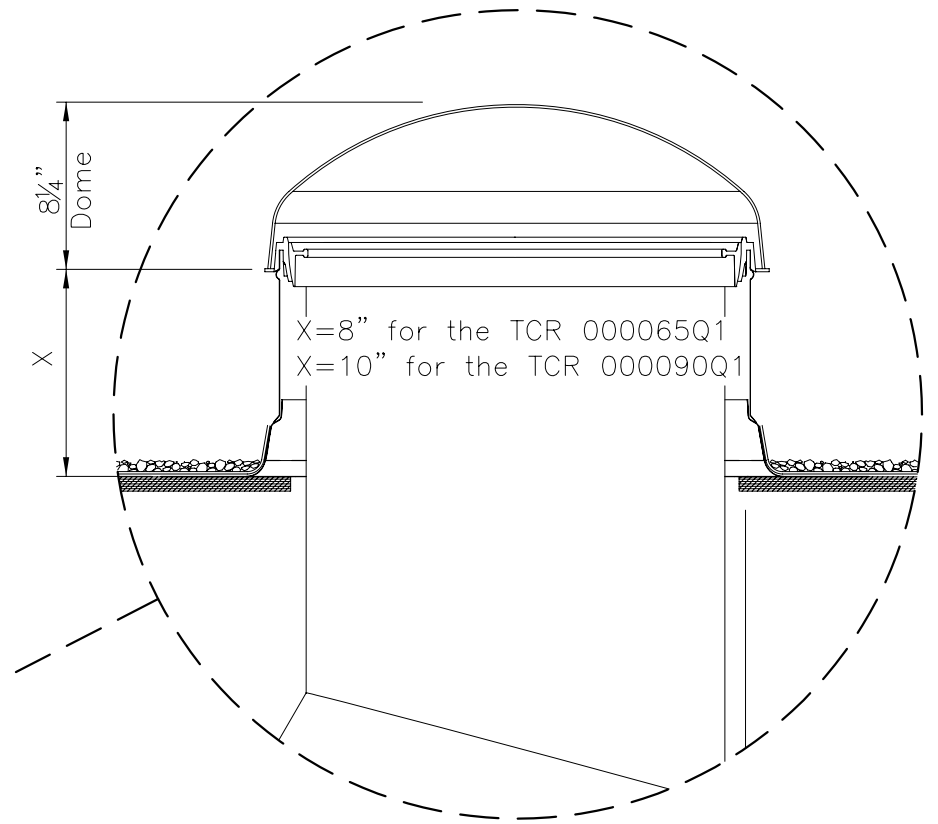


General Notes

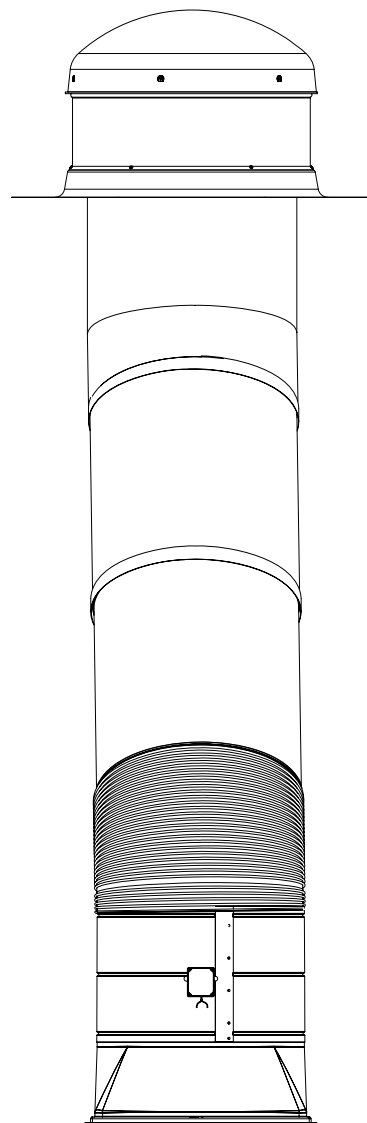
1. This drawing emphasizes the TCR Q1 self flashed VELUX SUN TUNNEL Skylight. It illustrates a general arrangement layout (plus recommendations) for a VELUX TCR Q1 installation with a VELUX ZTK 022 Daylight Controller, in a 0–30 degree roof pitch application utilizing either a suspended acoustical tile, grid ceiling or a hard finished (i.e. drywall type) ceiling installation.
2. The architectural/structural design and specifications for the inclusion of a tubular daylighting device, such as the VELUX TCR Q1, in any roofing/ceiling application is determined and provided by others. The design criteria includes, but is not limited to design loads, structural configurations, structural framing member sizes and material, architectural finishes and integration with the roofing/ceiling systems of the building. VELUX assumes no responsibility or liability in the design, construction and performance of a building structure by others.
3. Secure eye screws/bolts to the roofing structure and attach suspension wire to connect to eyebolts at end of telescopic tunnel section.
4. Secure suspension wires to the ceiling adaptor assembly & eyebolts.
5. These eye screws/bolts are in the foreground of Section A–A and are shown here for illustrative purposes only.



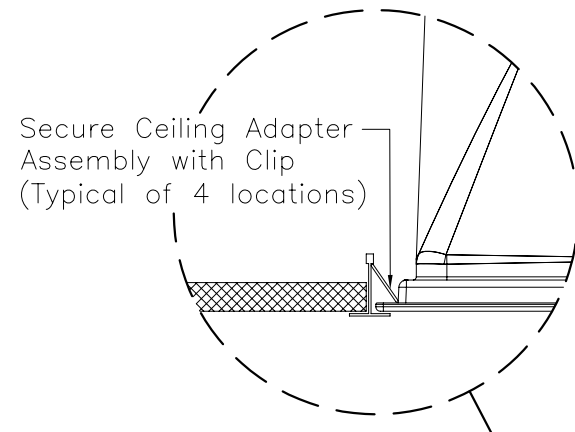
Plan



Q1 Flashing Detail

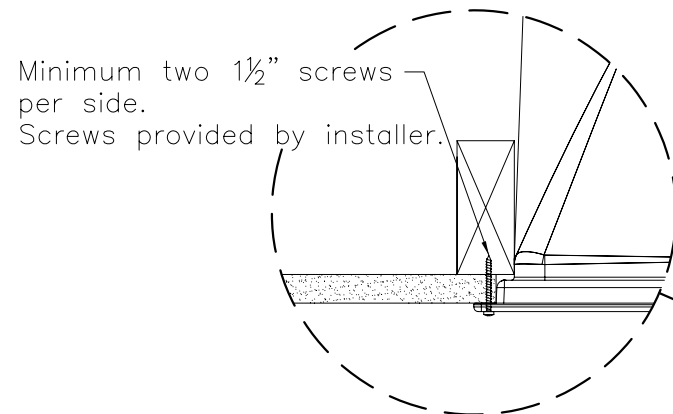


Elevation



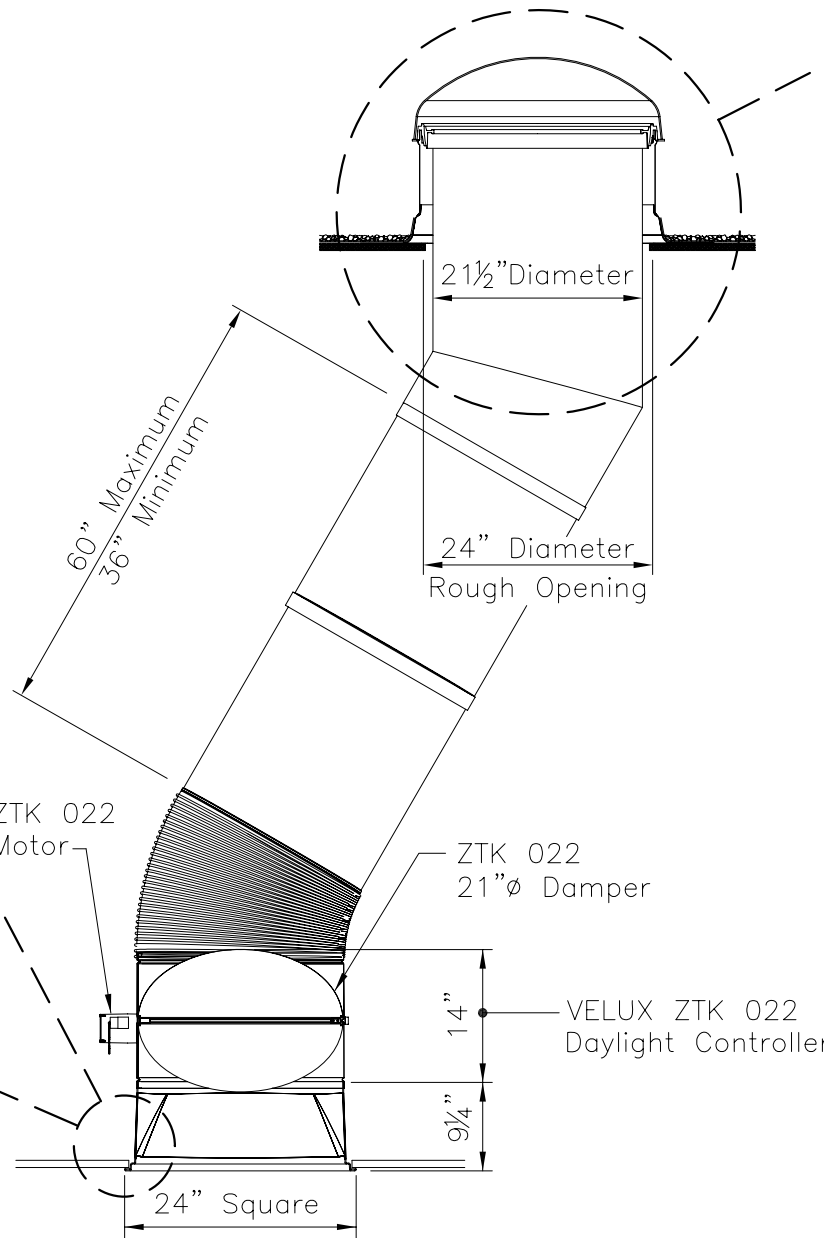
Grid Ceiling Installation

4:1



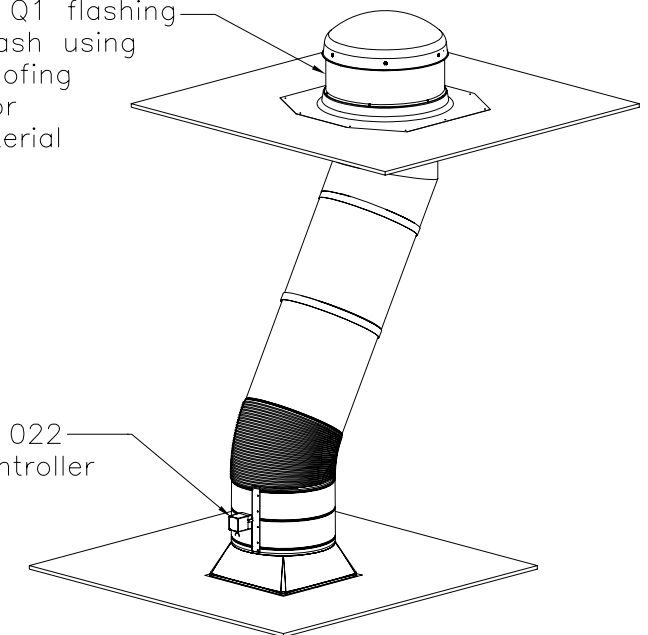
Finished Ceiling Installation

4:1



Cross Section

VELUX TCR Q1 flashing Mount & flash using standard roofing practices for roofing material being used.



General Arrangement Layout

1:2

	VELUX 1418 Evans Pond Road Greenwood, SC 29649 1-800-88-VELUX www.VELUXUSA.com	Name Date
	Sky-Product Management	Drawn by Checked by Drawing No.
TCR Q1 self flashed VELUX SUN TUNNEL Skylight		JDH Feb 09 BDM Feb 09 TCR Q1-01-0109

This drawing is an instrument of service and is provided for informational use only.