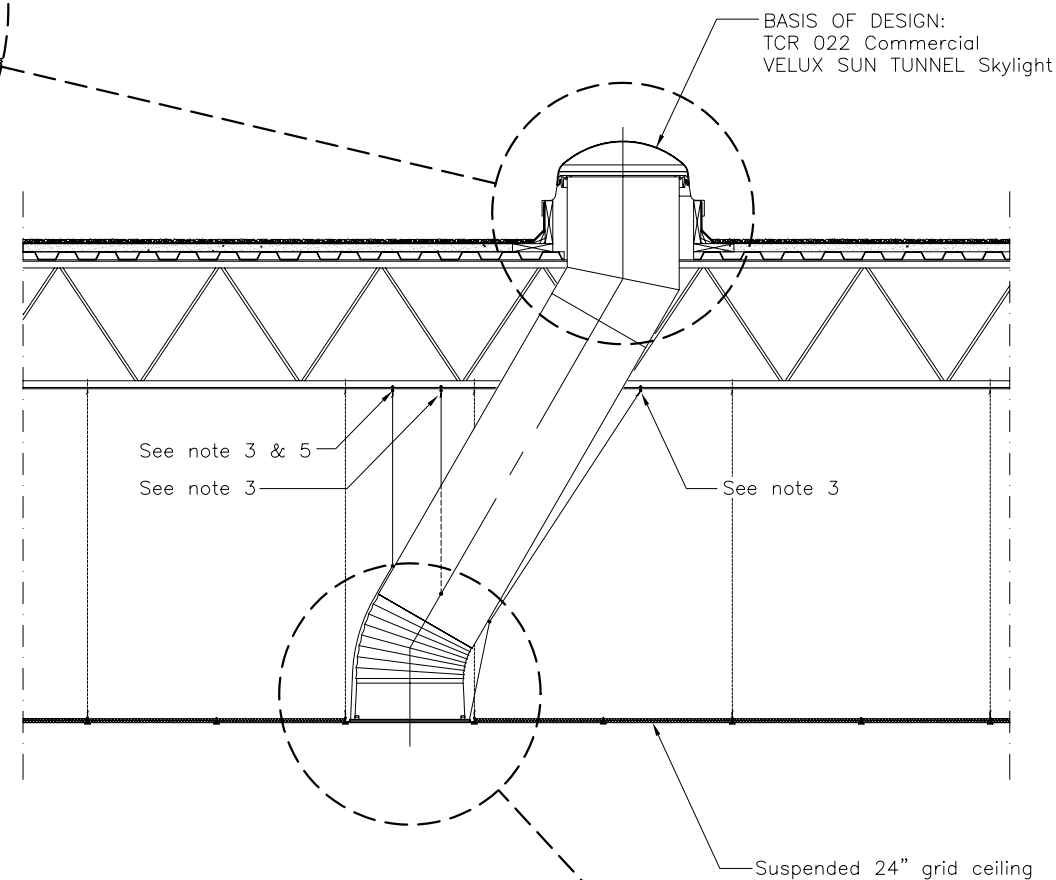
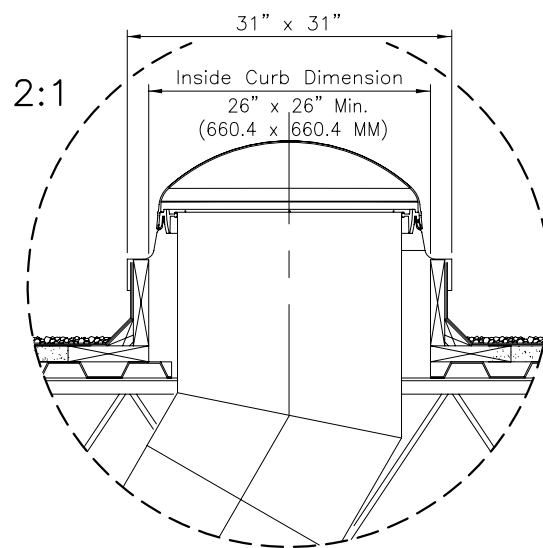
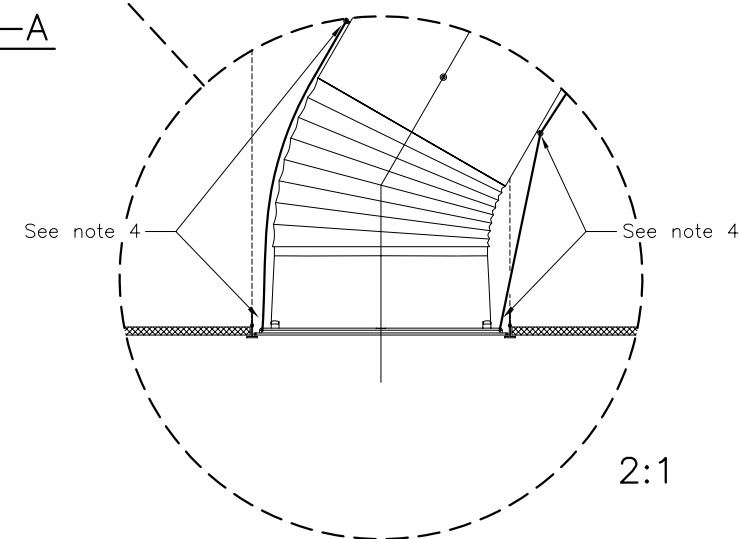


ELEVATION



SECTION A-A



GENERAL NOTES

1. This drawing emphasizes the TCR 022 0000, Commercial VELUX SUN TUNNEL Skylight. This drawing illustrates a general arrangement layout with recommendations for a VELUX TCR 0222 0000 installation in a 0-30 degree roof pitch application utilizing a suspended ceiling system with 24" (610 MM) grids.
2. The architectural/structural design and specifications for the inclusion of a tubular daylighting device, such as the VELUX TCR 022 0000, in any roofing/ceiling application is determined and provided by others. The design criteria includes, but is not limited to design loads, structural configurations, structural framing member sizes and material, architectural finishes and integration with the roofing/ceiling systems of the building. VELUX assumes no responsibility or liability in the design, construction and performance of a building structure by others.
3. Secure eye screws/bolts to the roofing structure and attach suspension wire to connect to eyebolts at end of telescopic tunnel section.
4. Secure suspension wires to the ceiling adaptor assembly & eyebolts.
5. These eye screws/bolts are in the foreground of Section A-A and are shown here for illustrative purposes only.

	VELUX 1418 Evans Pond Road Greenwood, SC 29649 1-800-88-VELUX www.VELUXUSA.com		Name JDH	Date July 06
	Sky-Product Management		Checked by BDM	July 06
TCR 022 0000 - Commercial VELUX SUN TUNNEL Skylight Roof/Ceiling Cross Section			Drawing No. TCR022-02-0706	

This drawing is an instrument of service and is provided for informational use only.